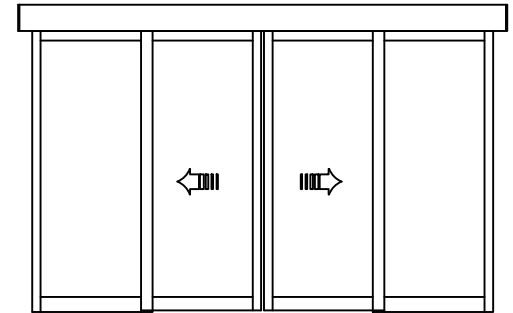
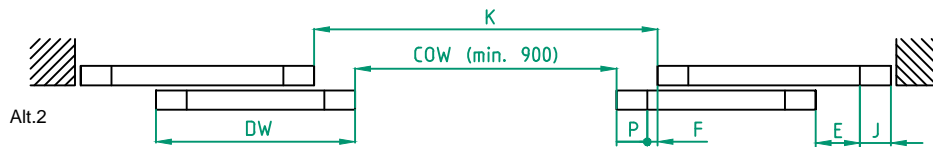
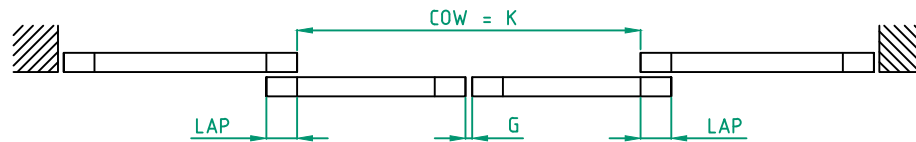
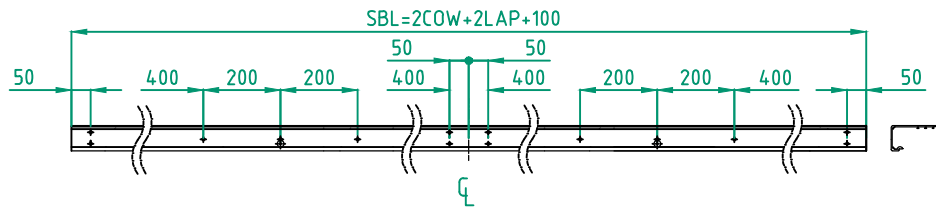
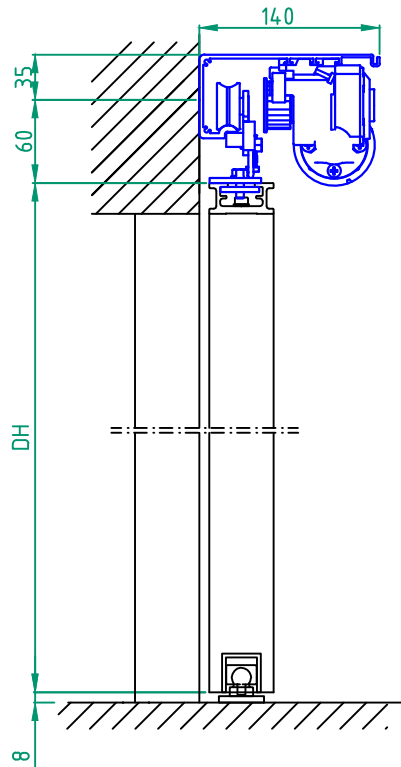


© All rights in and to this material are the sole property of ASSA ABLOY Entrance Systems AB. Copying, scanning, alterations or modifications are expressly forbidden without the prior written consent of the applicable company within ASSA ABLOY Entrance Systems AB. Rights reserved for changes without prior notice.



STATE WHEN ORDERING

COW = ..... mm  
 SBL = ..... mm  
 LAP = ..... mm  
 G = ..... mm  
 DW = ..... mm  
 Door weight = ..... kg

Surface treatment  
 Silver anodized

Note! If COW < 1200 mm, need to order PS extended cable 1009670 separately

|                               | Alt. 1 | Alt. 2 |       |
|-------------------------------|--------|--------|-------|
| Overlap (min. 20mm)           | LAP    | LAP    | ..... |
| Finger protection (min. 25mm) | E      | E      | ..... |
| Finger protection (min. 25mm) | -      | F      | ..... |
| Jamb width (min. 30mm)        | J      | J      | ..... |
| Leading edge width            | -      | P      | ..... |

|                         |           |                     |            |
|-------------------------|-----------|---------------------|------------|
| Alt.1 COW = K           | K = ..... | (K + 2LAP) / 2 = DW | DW = ..... |
| Alt.2 COW + 2P + 2F = K | K = ..... |                     | DW = ..... |

Customer:

Ref:

Door id:

Date:

Project No:

Sign:

Sliding door operator

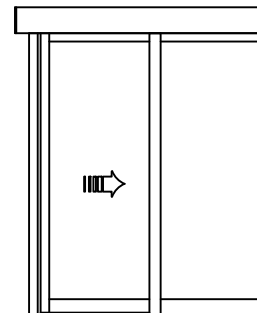
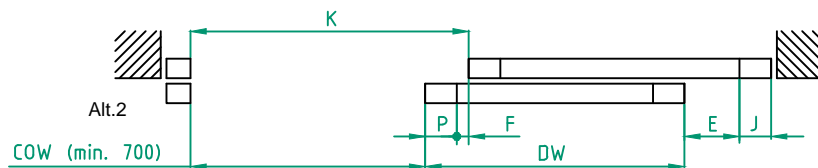
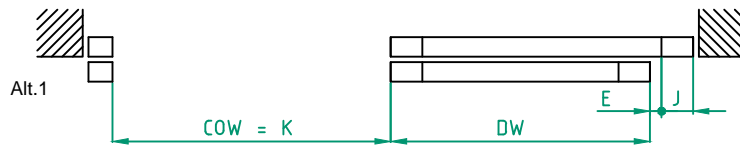
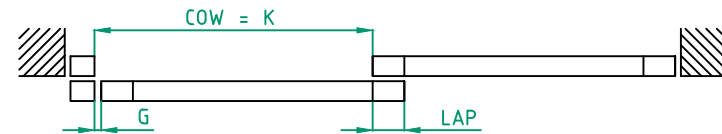
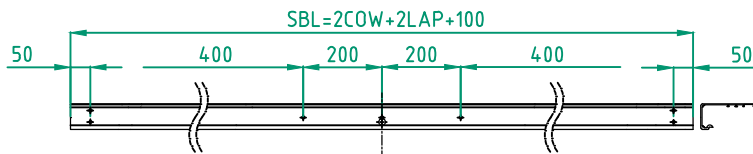
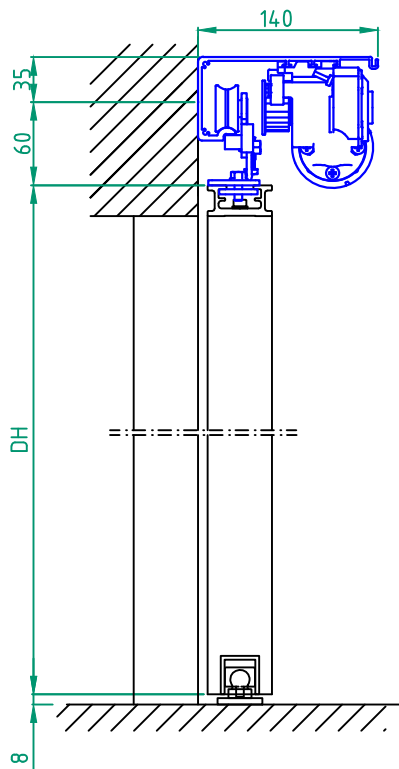
Besam SL100-2

Art. No. 1012863

**ASSA ABLOY**

1.0

1013276-EI



STATE WHEN ORDERING

COW = ..... mm  
 SBL = ..... mm  
 LAP = ..... mm  
 G = ..... mm  
 DW = ..... mm  
 Door weight = ..... kg

Surface treatment  
 Silver anodized

|                               | Alt.1 | Alt.2 |       |
|-------------------------------|-------|-------|-------|
| Overlap (min. 20mm)           | LAP   | LAP   | ..... |
| Finger protection (min. 25mm) | E     | E     | ..... |
| Finger protection (min. 25mm) | -     | F     | ..... |
| Jamb width (min. 30mm)        | J     | J     | ..... |
| Leading edge width            | -     | P     | ..... |

|                       |           |              |            |
|-----------------------|-----------|--------------|------------|
| Alt.1 COW = K         | K = ..... | K + LAP = DW | DW = ..... |
| Alt.2 COW + P + F = K | K = ..... |              |            |

Customer:

Door id:

Project No:

Ref:

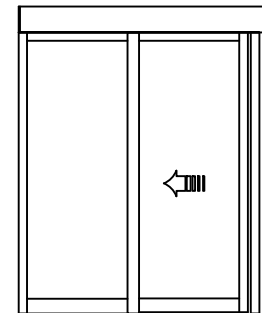
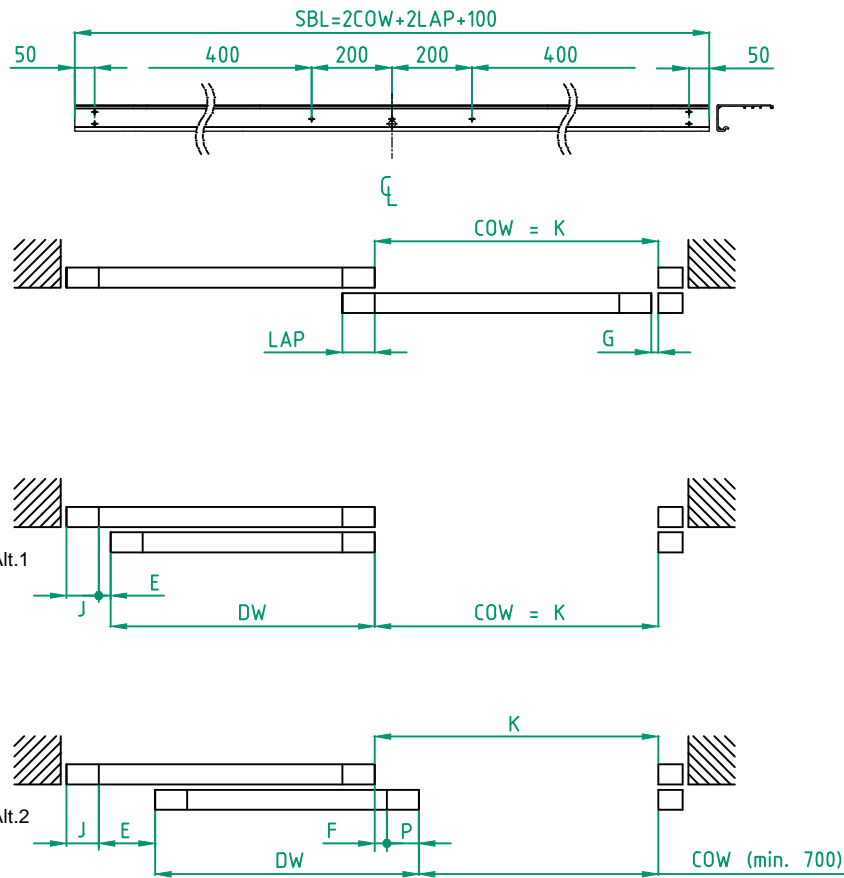
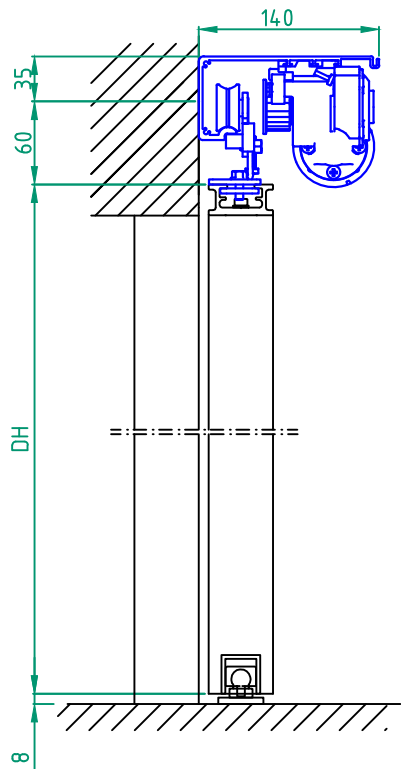
Date:

Sign:

Sliding door operator  
 Besam SL100-R  
 Art. No. 1012863

**ASSA ABLOY**

1.0 1013276-EI



STATE WHEN ORDERING

COW = ..... mm  
 SBL = ..... mm  
 LAP = ..... mm  
 G = ..... mm  
 DW = ..... mm  
 Door weight= ..... kg

Surface treatment  
 Silver anodized

|                               | Alt.1 | Alt.2 |       |
|-------------------------------|-------|-------|-------|
| Overlap (min. 20mm)           | LAP   | LAP   | ..... |
| Finger protection (min. 25mm) | E     | E     | ..... |
| Finger protection (min. 25mm) | -     | F     | ..... |
| Jamb width (min. 30mm)        | J     | J     | ..... |
| Leading edge width            | -     | P     | ..... |

|                       |          |              |            |
|-----------------------|----------|--------------|------------|
| Alt.1 COW = K         | K= ..... | K + LAP = DW | DW = ..... |
| Alt.2 COW + P + F = K | K= ..... |              |            |

Customer:

Ref:

Door id:

Date:

Project No:

Sign:

Sliding door operator

Besam SL100-L

Art. No. 1012863

**ASSA ABLOY**

1.0

1013276-EI